

**Republic of the Philippines**

**Trademark Registration**

**NO:4-2018-005618**

**LSJ swivel joint**

---

**FKS CO.,LTD. (JAPAN CORPORATION)**

**2805,Noborito, Tama-Ku, Kawasaki City,Kanagawa, Japan**

**TEL: +81 44 911 7925**

**FAX: +81 44 911 7988**

**E-mail: [info@fks-sp.com](mailto:info@fks-sp.com)**

# LSJ swivel joint



PAT.	JP	5807984	
		6083032	
	EP	3187766 B1(BG/FR/DE)	
	CN	ZL 2015 8 0046790. X	
	PH	1-2017-500511	
Design	JP	1545242	
	US	D834689S	
	PH	3-2017-050161	
T.M.	JP	6197824	cl:11,35,37
	US	5784811	cl:11,37
	EU	017917563	cl:7,37
	CN	32143630	cl:17
	PH	4-2018-005618	cl:7,37
	ID	IDM000762211	cl:7,37

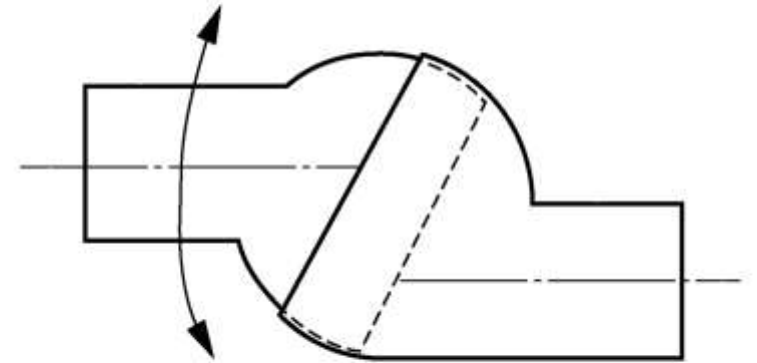
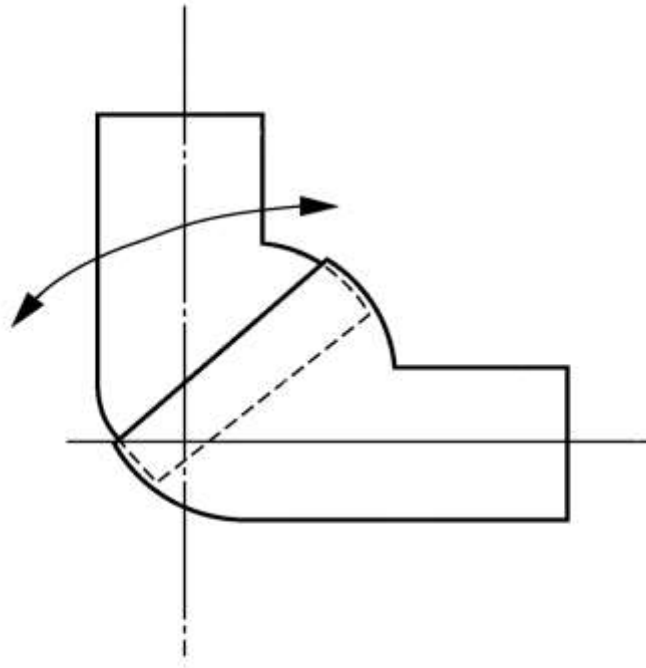
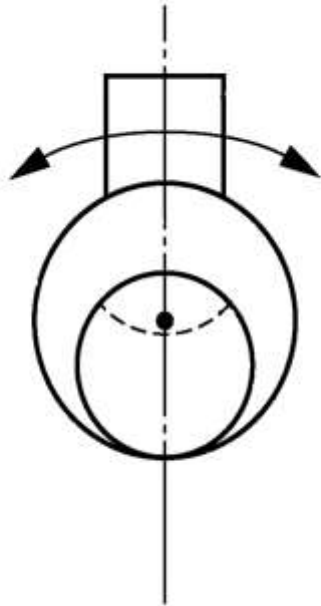
# LSJ swivel joint



- Movable pipe joint of hard PVC
- Use for drainage piping of natural flow
- Three-dimensional movable
- Superior for Seismic resistance
- Simultaneous adjustment for piping slope and bonding position
- Save time
- Labor cost reduction

# Real flexibility

---

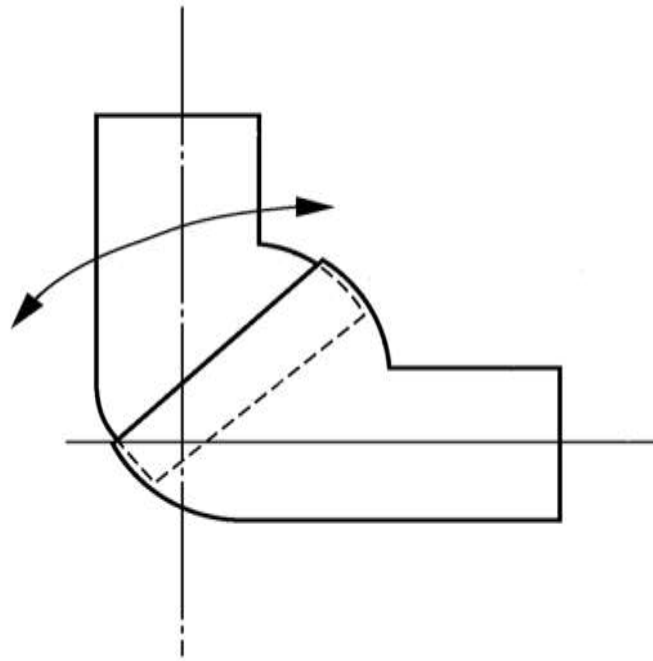


# Easy slope setting

## LSJ Swivel Joint



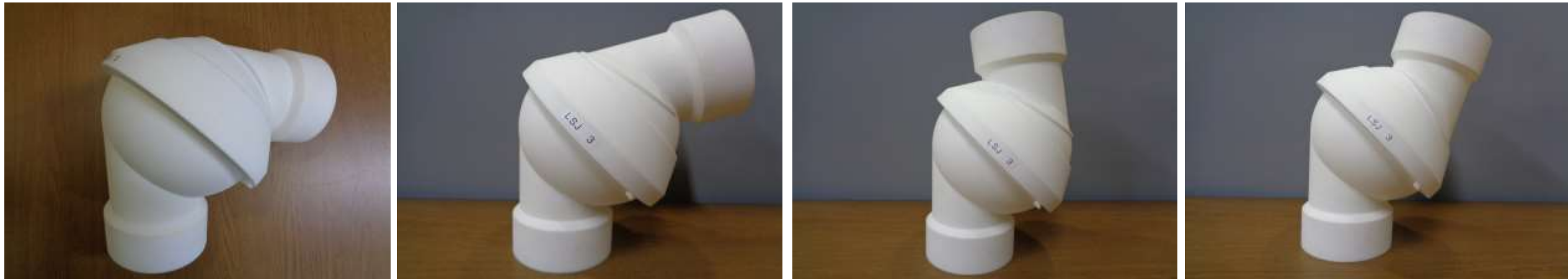
Rigid elbows



Rigid elbows



# LSJ swivel joint



# LSJ swivel joint

---

